

MODULAR TORNADO COMMUNITY SHELTER

10'W x 56'L x 8'H

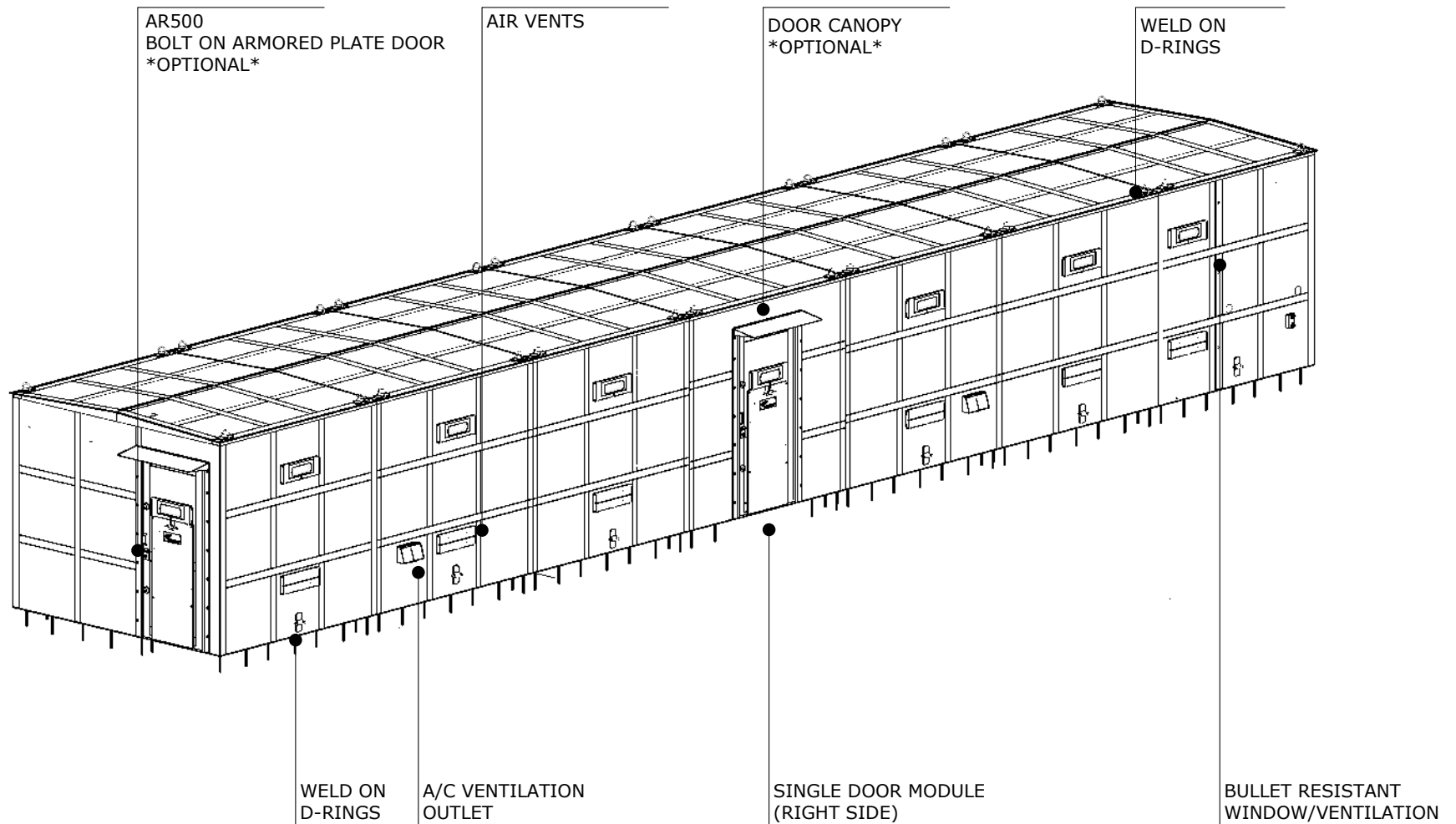


MODULAR TORNADO COMMUNITY SHELTER
(10'W x 56'L x 8'H)

ALL THE INFORMATION SHOWN HEREIN IS THE INTELLECTUAL PROPERTY OF TORSHEL STORM SHELTERS AND IS SUBMITTED ONLY IN A CONFIDENTIAL BASIS. THE RECIPIENT AGREES THAT NO DISCLOSURE OF THIS INFORMATION WILL BE MADE TO A THIRD PARTY WITHOUT WRITTEN CONSENT OF TORSHEL.

MODULAR TORNADO COMMUNITY SHELTER

x7 Modules (10'W x 8'L x 8'H)
Total Unit (10'W x 56'L x 8'H)
GENERAL DIMENSIONS

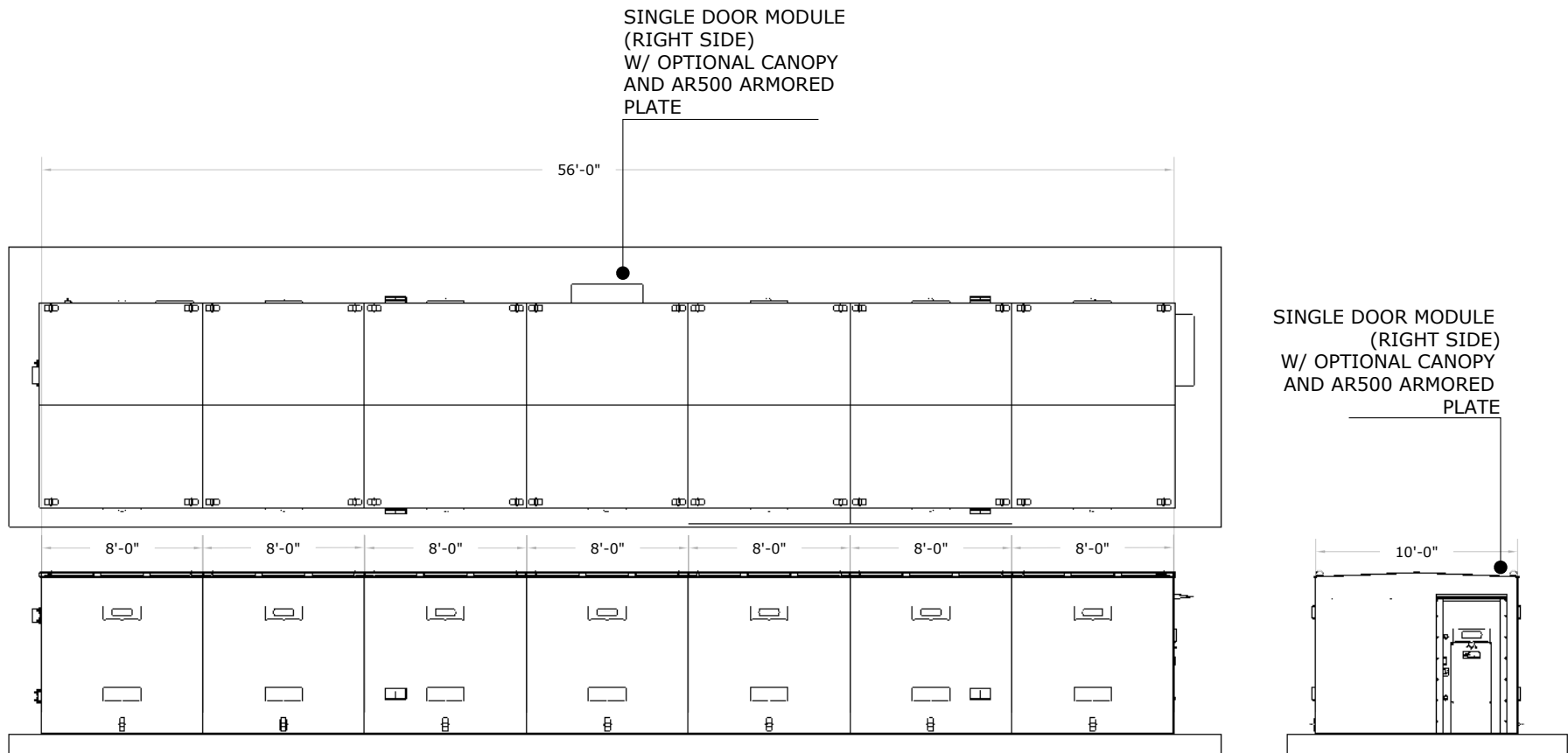


MODULAR TORNADO COMMUNITY SHELTER
(10'W x 56'L x 8'H)

ALL THE INFORMATION SHOWN HEREIN IS THE INTELLECTUAL PROPERTY OF TORSHEL STORM SHELTERS AND IS SUBMITTED ONLY IN A CONFIDENTIAL BASIS. THE RECIPIENT AGREES THAT NO DISCLOSURE OF THIS INFORMATION WILL BE MADE TO A THIRD PARTY WITHOUT WRITTEN CONSENT OF TORSHEL.

MODULAR TORNADO COMMUNITY SHELTER

GENERAL DIMENSIONS



MODULAR TORNADO COMMUNITY SHELTER
(10'W x 56'L x 8'H)

ALL THE INFORMATION SHOWN HEREIN IS THE INTELLECTUAL PROPERTY OF TORSHEL STORM SHELTERS AND IS SUBMITTED ONLY IN A CONFIDENTIAL BASIS. THE RECIPIENT AGREES THAT NO DISCLOSURE OF THIS INFORMATION WILL BE MADE TO A THIRD PARTY WITHOUT WRITTEN CONSENT OF TORSHEL.

MODULAR TORNADO COMMUNITY SHELTER

EXTERIOR DETAILS



SINGLE FRONT DOOR

FINISHING OPTIONS

(1) POWDER COATED BAKED-ON FINISH (Preferably)
We use in ALL our range of products this HEAVY DUTY finishing method; it will give a high extra adherence paint job, high resistance to the elements (Weather and temperature), and resistance to scratches and impacts.

(2) DIRECT TO METAL PAINTING (Optional)



SINGLE SIDED DOOR



MODULAR TORNADO COMMUNITY SHELTER
(10'W x 56'L x 8'H)

ALL THE INFORMATION SHOWN HEREIN IS THE INTELLECTUAL PROPERTY OF TORSHEL STORM SHELTERS AND IS SUBMITTED ONLY IN A CONFIDENTIAL BASIS. THE RECIPIENT AGREES THAT NO DISCLOSURE OF THIS INFORMATION WILL BE MADE TO A THIRD PARTY WITHOUT WRITTEN CONSENT OF TORSHEL.

MODULAR TORNADO COMMUNITY SHELTER

INTERIOR DETAILS



INNER FRONT DOOR
VIEW



INNER SIDE DOOR
VIEW



MODULAR TORNADO COMMUNITY SHELTER
(10'W x 56'L x 8'H)

ALL THE INFORMATION SHOWN HEREIN IS THE INTELLECTUAL PROPERTY OF TORSHEL STORM SHELTERS AND IS SUBMITTED ONLY IN A CONFIDENTIAL BASIS. THE RECIPIENT AGREES THAT NO DISCLOSURE OF THIS INFORMATION WILL BE MADE TO A THIRD PARTY WITHOUT WRITTEN CONSENT OF TORSHEL.

MODULAR TORNADO COMMUNITY SHELTER

EXTERIOR DETAILS



• BULLET RESISTANT WINDOW W/ VENTILATION

• AR500 ARMORED PLATE. *OPTIONAL

• GUNPORT



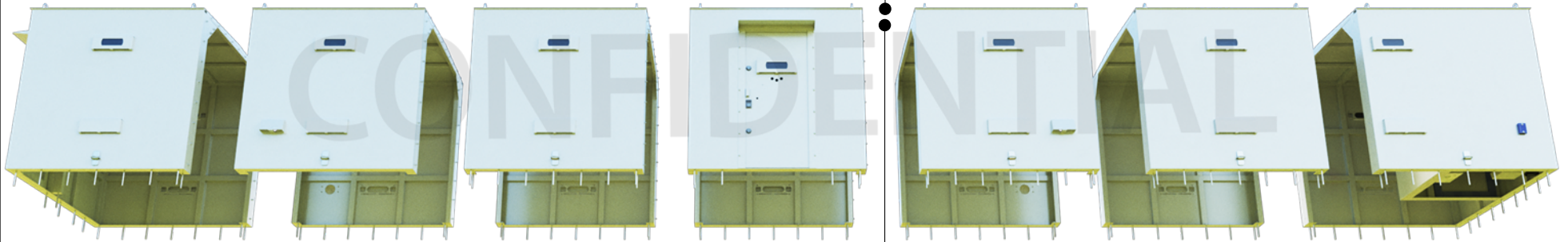
MODULAR TORNADO COMMUNITY SHELTER
(10'W x 56'L x 8'H)

ALL THE INFORMATION SHOWN HEREIN IS THE INTELLECTUAL PROPERTY OF TORSHEL STORM SHELTERS AND IS SUBMITTED ONLY IN A CONFIDENTIAL BASIS. THE RECIPIENT AGREES THAT NO DISCLOSURE OF THIS INFORMATION WILL BE MADE TO A THIRD PARTY WITHOUT WRITTEN CONSENT OF TORSHEL.

MODULAR TORNADO COMMUNITY SHELTER

MODULAR ASSEMBLY

MODULAR ASSEMBLY
CONNECTION



MODULAR TORNADO COMMUNITY SHELTER
(10'W x 56'L x 8'H)

ALL THE INFORMATION SHOWN HEREIN IS THE INTELLECTUAL PROPERTY OF TORSHEL STORM SHELTERS AND IS SUBMITTED ONLY IN A CONFIDENTIAL BASIS. THE RECIPIENT AGREES THAT NO DISCLOSURE OF THIS INFORMATION WILL BE MADE TO A THIRD PARTY WITHOUT WRITTEN CONSENT OF TORSHEL.

MODULAR TORNADO COMMUNITY SHELTER

DETAILS

SOLAR POWER
BACKUP KIT

AIR CONDITIONER
COLD AND HEAT SYSTEM



5' x 5' WHEELCHAIR
ACCESSIBLE BATHROOM



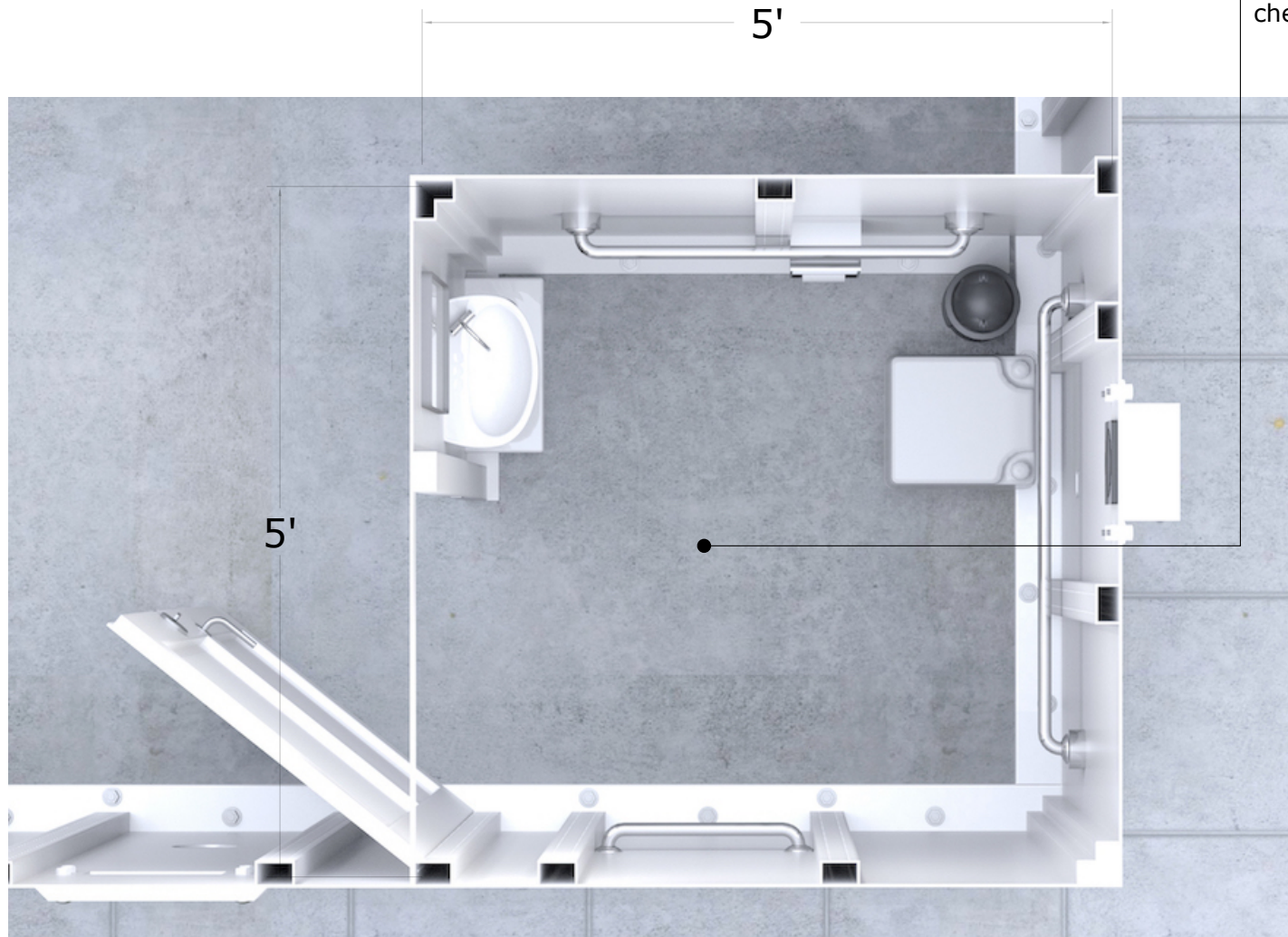
MODULAR TORNADO COMMUNITY SHELTER
(10'W x 56'L x 8'H)

ALL THE INFORMATION SHOWN HEREIN IS THE INTELLECTUAL PROPERTY OF TORSHEL STORM SHELTERS AND IS SUBMITTED ONLY IN A CONFIDENTIAL BASIS. THE RECIPIENT AGREES THAT NO DISCLOSURE OF THIS INFORMATION WILL BE MADE TO A THIRD PARTY WITHOUT WRITTEN CONSENT OF TORSHEL.

MODULAR TORNADO COMMUNITY SHELTER

5'W x 5'L WHEELCHAIR ACCESSIBLE BATHROOM DETAILS

5 ft x 5ft, ADA
wheelchair
accessible door
bathroom with a
chemical toilet.



MODULAR TORNADO COMMUNITY SHELTER
(10'W x 56'L x 8'H)

ALL THE INFORMATION SHOWN HEREIN IS THE
INTELLECTUAL PROPERTY OF TORSHEL STORM SHELTERS
AND IS SUBMITTED ONLY IN A CONFIDENTIAL BASIS.
THE RECIPIENT AGREES THAT NO DISCLOSURE OF THIS
INFORMATION WILL BE MADE TO A THIRD PARTY WITHOUT
WRITTEN CONSENT OF TORSHEL.

MODULAR TORNADO COMMUNITY SHELTER

INTERIOR SIDE DOORS

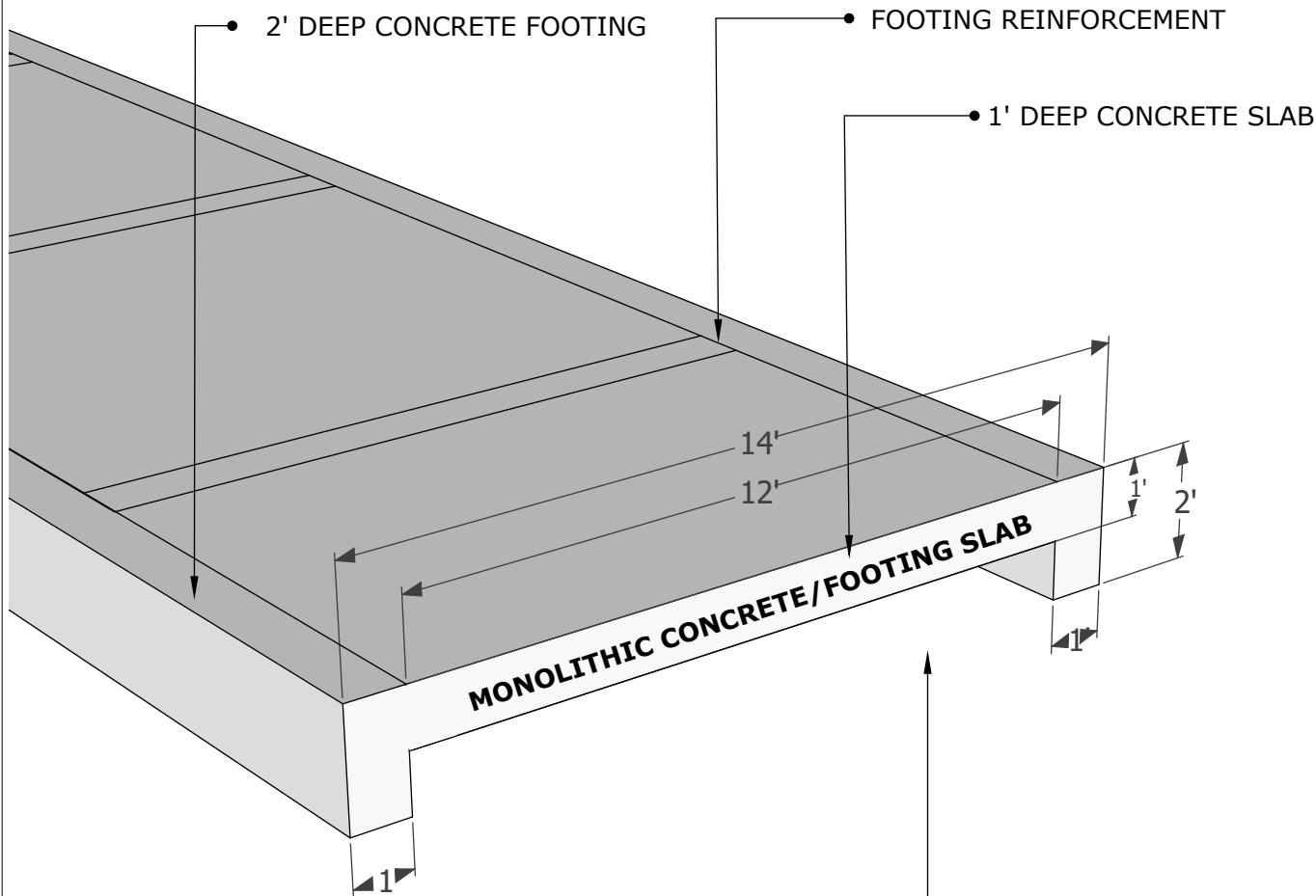


MODULAR TORNADO COMMUNITY SHELTER
(10'W x 56'L x 8'H)

ALL THE INFORMATION SHOWN HEREIN IS THE INTELLECTUAL PROPERTY OF TORSHEL STORM SHELTERS AND IS SUBMITTED ONLY IN A CONFIDENTIAL BASIS. THE RECIPIENT AGREES THAT NO DISCLOSURE OF THIS INFORMATION WILL BE MADE TO A THIRD PARTY WITHOUT WRITTEN CONSENT OF TORSHEL.

MONOLITHIC CONCRETE SLAB/FOOTING CONSTRUCTION PARAMETERS

PERSPECTIVE CUT VIEW



1. IMPORTANT NOTE: The owner or EOR (Engineer on record) can make the decision about which way to go based on product and space availability.

SPECIFICATIONS

SLAB/FOOTING TOTAL DIMENSIONS	14'W x 60'L x 2'H
SLABS CONCRETE NEEDED (EXACT AMOUNT)	26,19 y3 4,000-6,000 PSI <small>(We recommend ordering 10-15% plus of concrete)</small>
FOOTING CONCRETE NEEDED (EXACT AMOUNT)	13,03 y3 4,000-6,000 PSI <small>(We recommend ordering 10-15% plus of concrete)</small>
OPTION (A) *ONLY SLABS* HELIX REBAR (DOSAGE)	15 lb/y3
TOTAL ESTIMATE HELIX REBAR BOXES (EACH BOX CONTAINS 45lb)	x10
OPTION (B) REBAR CROSSINGS	PLEASE REFER TO PAGE 8

2. IMPORTANT NOTE: WE RECOMMEND CHOOSING THE OPTION (A). THE HELIX REBAR WOULD ALLOW US TO AVOID ANY COLLISION BETWEEN THE CONVENTIONAL 5/8" OR 3/4" REBARS AND THE ANCHORAGE USED TO FIXED ALL OUR UNITS TO THE SLAB; THIS METHOD WILL SPEED UP THE SLAB'S CONSTRUCTION.

*The concrete slab where the unit will be placed, must be leveled using laser devices to obtain accurate results, the rest can have a slope to allow rain drainage.

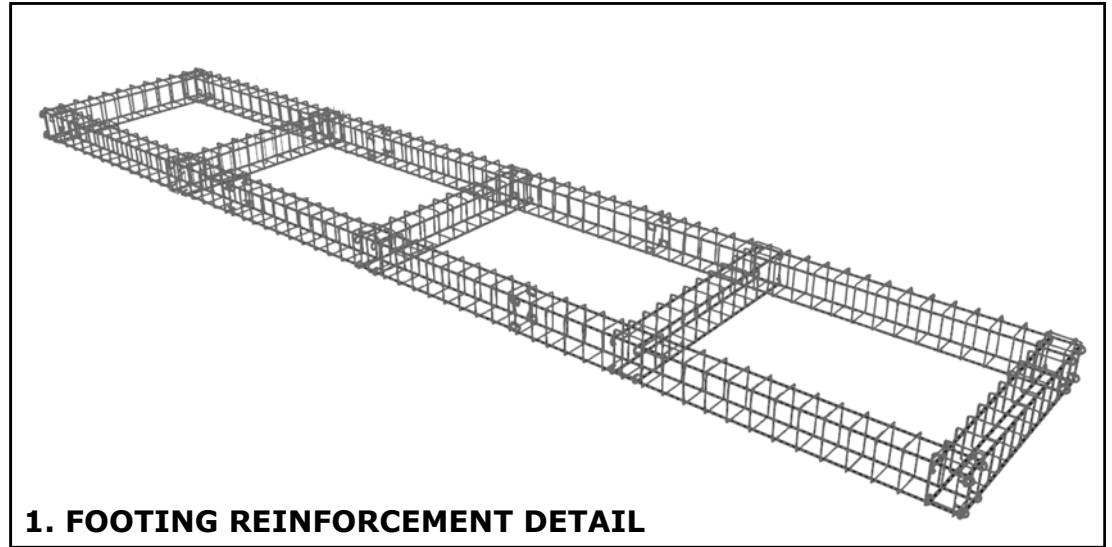
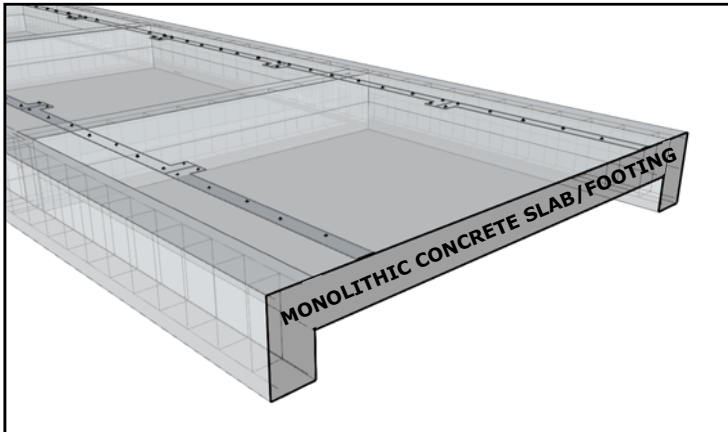


MODULAR TORNADO COMMUNITY SHELTER
(10'W x 56'L x 8'H)

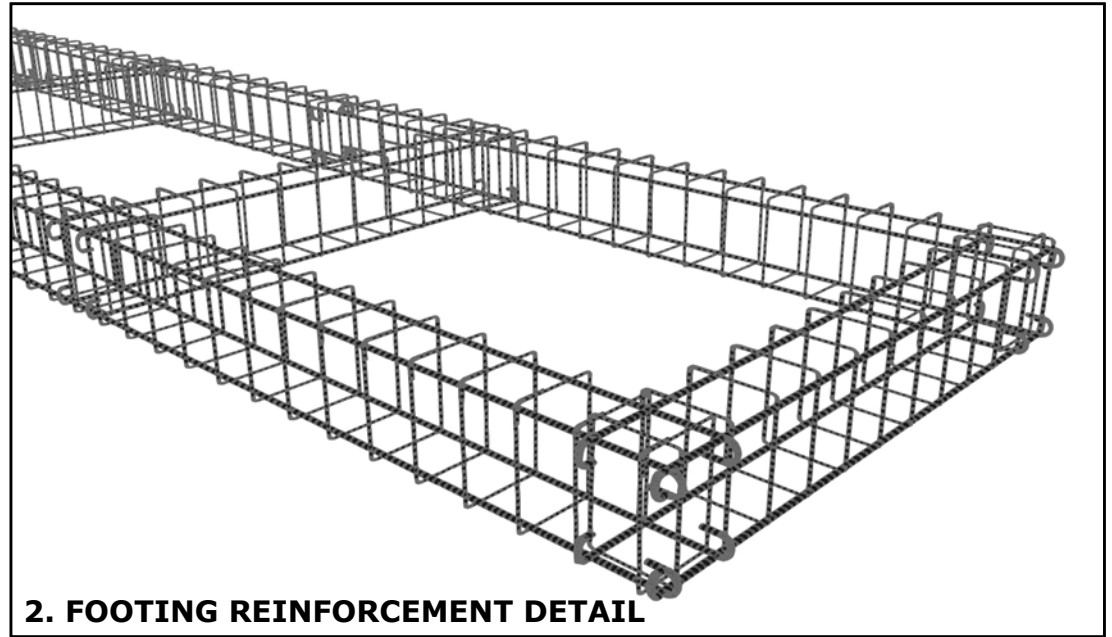
ALL THE INFORMATION SHOWN HEREIN IS THE INTELLECTUAL PROPERTY OF TORSHEL STORM SHELTERS AND IS SUBMITTED ONLY IN A CONFIDENTIAL BASIS. THE RECIPIENT AGREES THAT NO DISCLOSURE OF THIS INFORMATION WILL BE MADE TO A THIRD PARTY WITHOUT WRITTEN CONSENT OF TORSHEL.

MONOLITHIC CONCRETE OPTION (A) + REINFORCEMENT DETAILS.

FOOTING REINFORCEMENT SPECS:
Top rebars = #5 - 5/8" Diam. (Qty: x2)
Bottom rebars = #5 - 5/8" Diam. (Qty: x2)



1. FOOTING REINFORCEMENT DETAIL



2. FOOTING REINFORCEMENT DETAIL

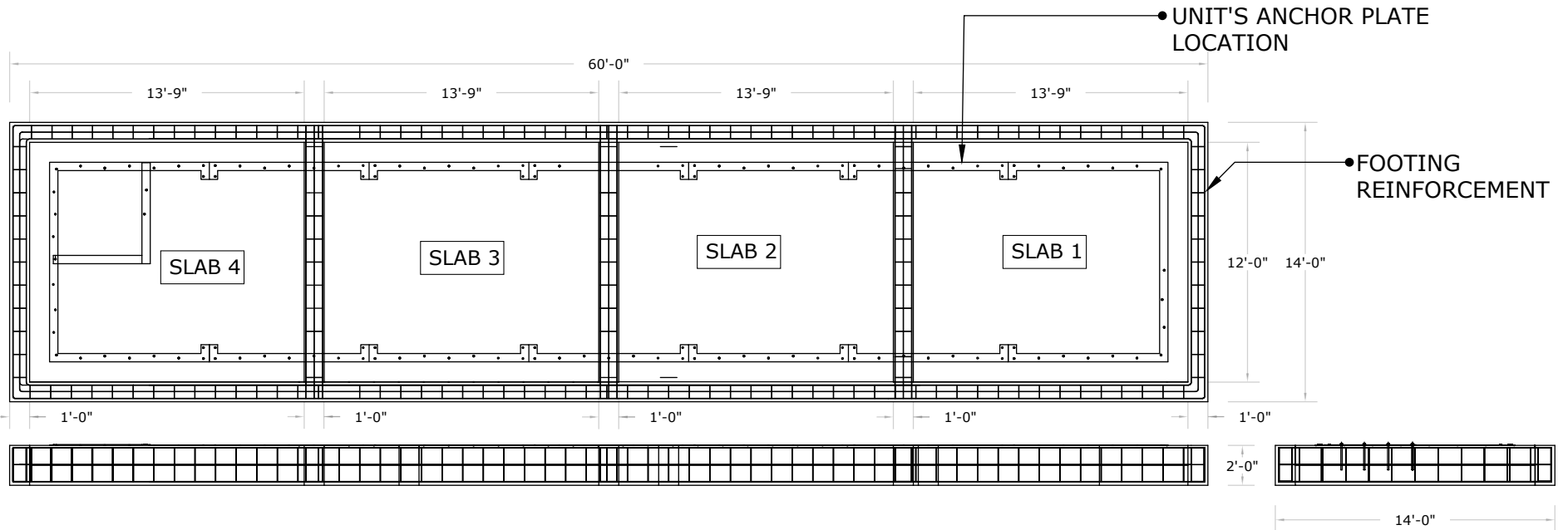
***DISCLAIMER:** The helix dosage was designed and recommended by the manufacturer.



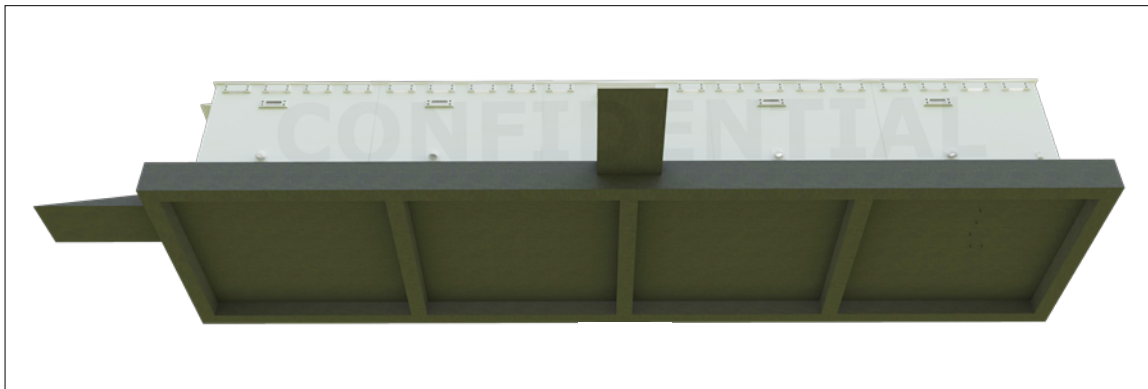
MODULAR TORNADO COMMUNITY SHELTER
(10'W x 56'L x 8'H)

ALL THE INFORMATION SHOWN HEREIN IS THE INTELLECTUAL PROPERTY OF TORSHEL STORM SHELTERS AND IS SUBMITTED ONLY IN A CONFIDENTIAL BASIS. THE RECIPIENT AGREES THAT NO DISCLOSURE OF THIS INFORMATION WILL BE MADE TO A THIRD PARTY WITHOUT WRITTEN CONSENT OF TORSHEL.

MONOLITHIC CONCRETE OPTION (A). HELIX REBAR (ONLY FOR SLABS)



REINFORCEMENTS DETAIL



SPECIFICATIONS

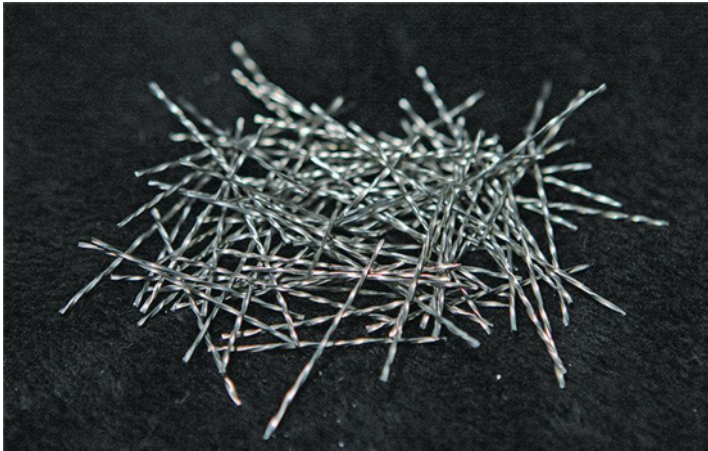
SLAB/FOOTING TOTAL DIMENSIONS	14'W x 60'L x 2'H
SLABS CONCRETE NEEDED (EXACT AMOUNT)	26,19 y3 4,000-6,000 PSI <small>(We recommend ordering 10-15% plus of concrete)</small>
FOOTING CONCRETE NEEDED (EXACT AMOUNT)	13,03 y3 4,000-6,000 PSI <small>(We recommend ordering 10-15% plus of concrete)</small>
OPTION (1) *ONLY SLABS* HELIX REBAR (DOSAGE)	15 lb/y3
TOTAL ESTIMATE HELIX REBAR BOXES (EACH BOX CONTAINS 45lb)	x10
OPTION (2) 1/2" REBAR CROSSINGS	PLEASE REFER TO PAGE 3



MODULAR TORNADO COMMUNITY SHELTER
(10'W x 56'L x 8'H)

ALL THE INFORMATION SHOWN HEREIN IS THE INTELLECTUAL PROPERTY OF TORSHEL STORM SHELTERS AND IS SUBMITTED ONLY IN A CONFIDENTIAL BASIS. THE RECIPIENT AGREES THAT NO DISCLOSURE OF THIS INFORMATION WILL BE MADE TO A THIRD PARTY WITHOUT WRITTEN CONSENT OF TORSHEL.

MONOLITHIC CONCRETE OPTION (A). WHAT IS HELIX STEEL MICRO-REBAR?



The Micro Rebar is a replacement for rebar or welded wire fabric in concrete construction. It is cost effective and reduces structural faults in concrete due to shrinkage and temperature cracking. Simply added to concrete as it mixes, it actively prevents cracking in any application. From structural foundations, to slabs, to suspended structural concrete, to paving, it will increase the strength and durability of concrete.

For more information please visit:
Helix Steel. <https://www.helixsteel.com>

HELIX[®]
STEEL



The HELIX Micro Rebar comes in boxes of 45lb each as shown in the picture.

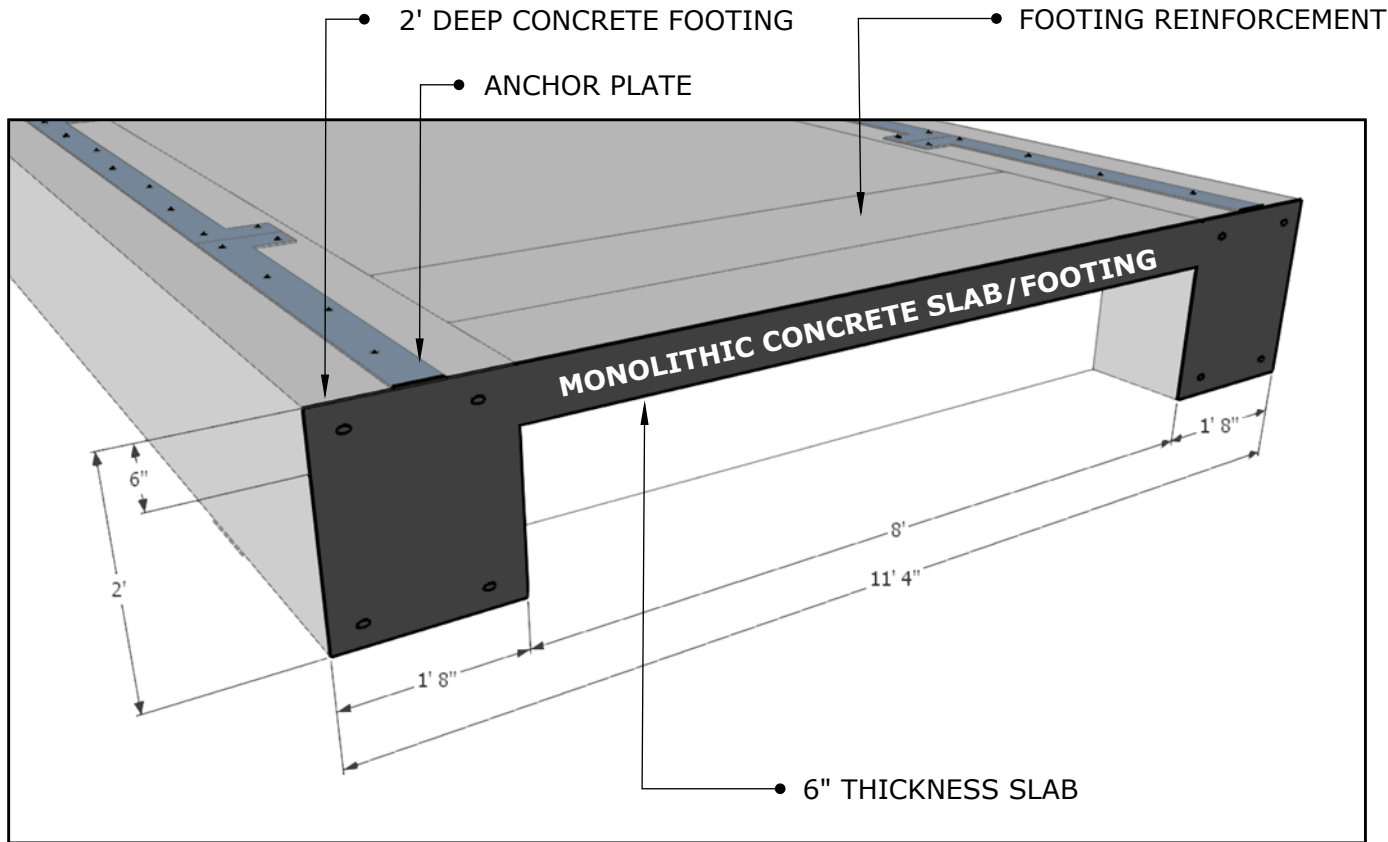


Add your HELIX Micro-Rebar to your concrete mixture.

We strongly recommend the concrete must be done in one single poured for the whole slab.

MONOLITHIC CONCRETE OPTION (B).

REBAR REINFORCEMENT OPTION (1): #5 Rebar - 5/8" Diam. 14" OC



SPECIFICATIONS

SLAB/FOOTING TOTAL DIMENSIONS	11'4"W x 57'4"L x 2'H
SLABS CONCRETE NEEDED (EXACT AMOUNT)	7.26 y3 4,000-6,000 PSI (We recommend ordering 10-15% plus of concrete)
FOOTING CONCRETE NEEDED (EXACT AMOUNT)	18.27 y3 4,000-6,000 PSI (We recommend ordering 10-15% plus of concrete)
TOTAL CONCRETE NEEDED	27.33 y3 4,000-6,000 PSI (We recommend ordering 10-15% plus of concrete)

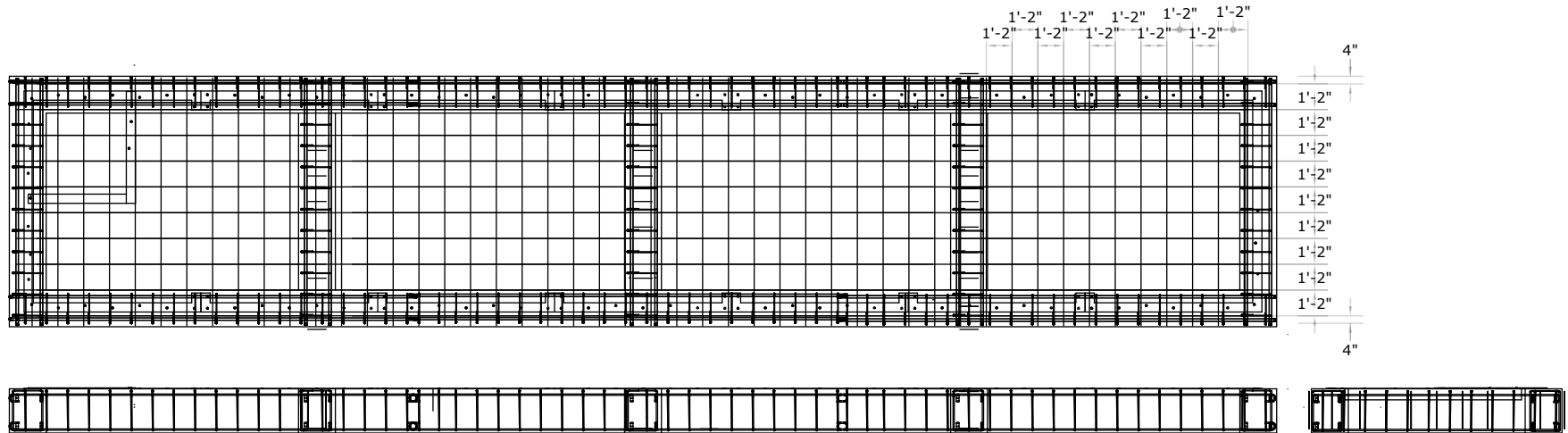
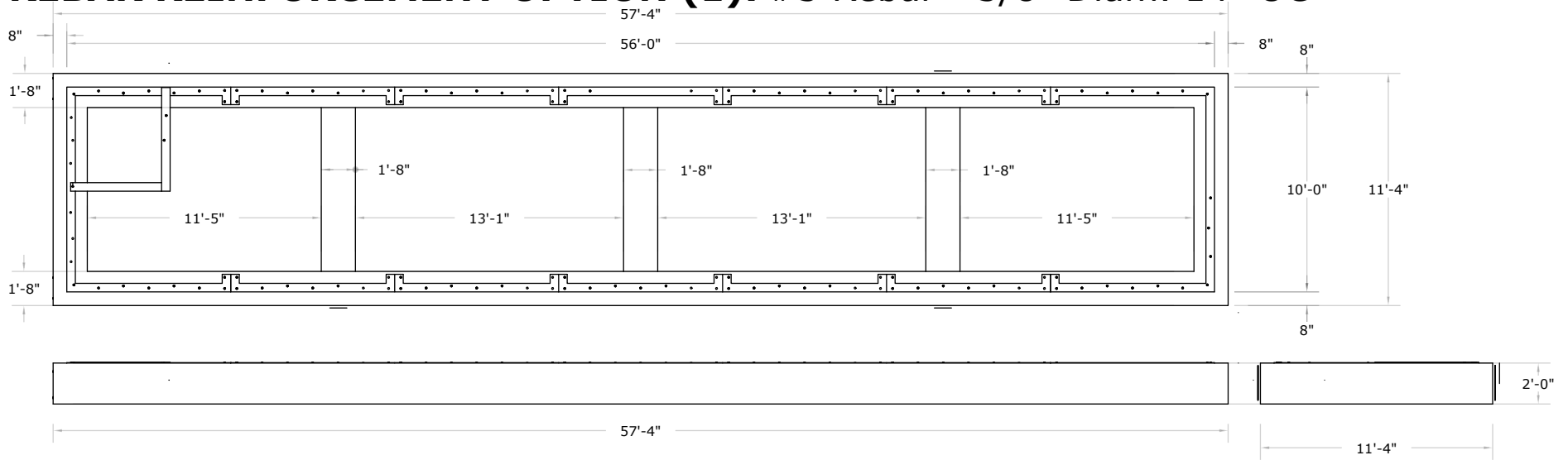


MODULAR TORNADO COMMUNITY SHELTER
(10'W x 56'L x 8'H)

ALL THE INFORMATION SHOWN HEREIN IS THE INTELLECTUAL PROPERTY OF TORSHEL STORM SHELTERS AND IS SUBMITTED ONLY IN A CONFIDENTIAL BASIS. THE RECIPIENT AGREES THAT NO DISCLOSURE OF THIS INFORMATION WILL BE MADE TO A THIRD PARTY WITHOUT WRITTEN CONSENT OF TORSHEL.

MONOLITHIC CONCRETE OPTION (B).

REBAR REINFORCEMENT OPTION (1): #5 Rebar - 5/8" Diam. 14" OC

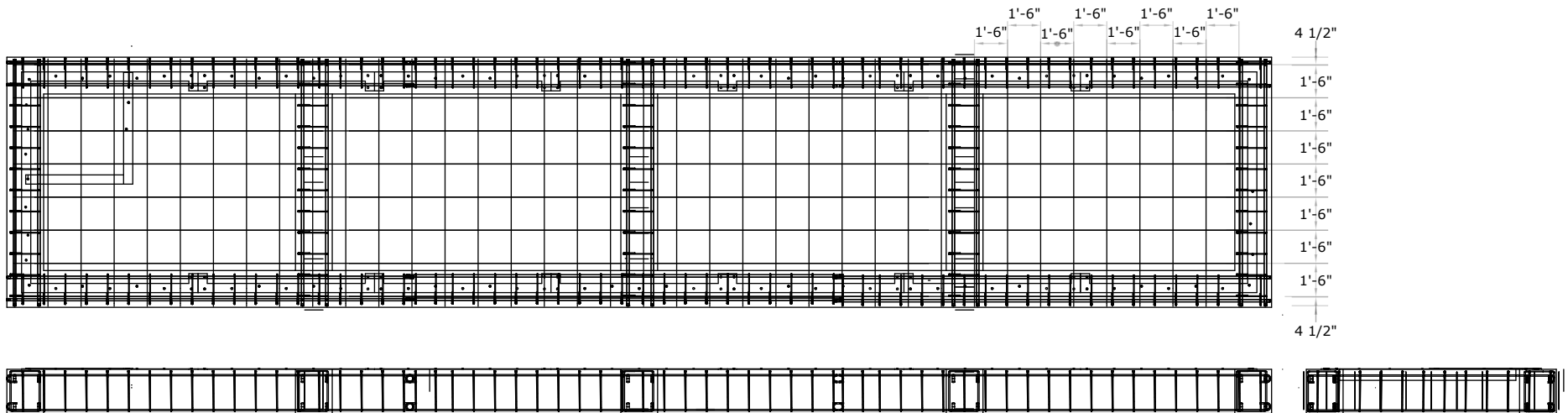
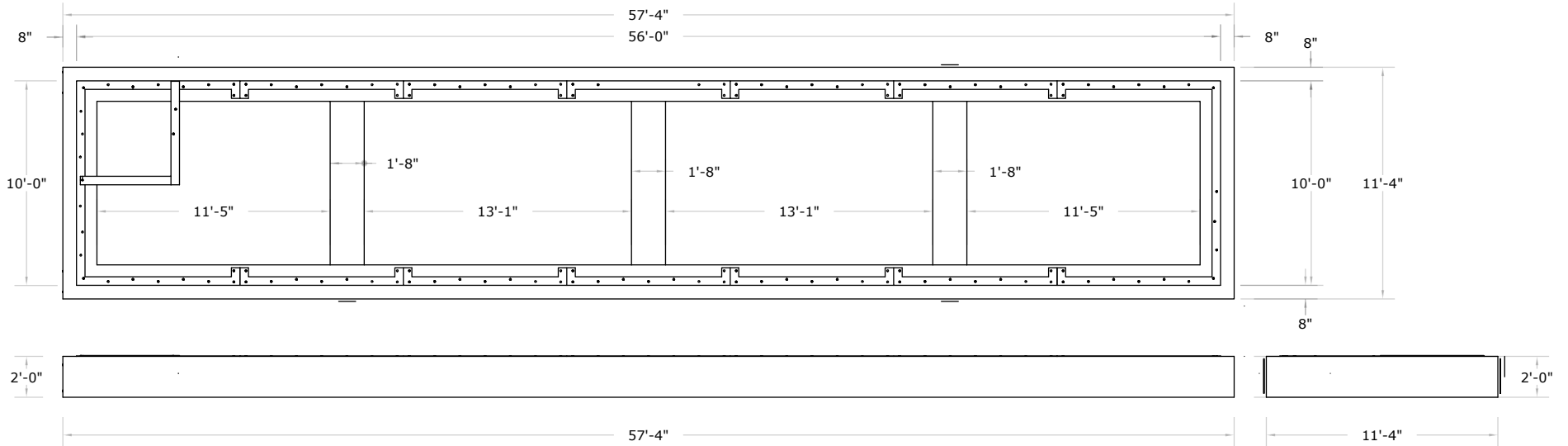


MODULAR TORNADO COMMUNITY SHELTER
(10'W x 56'L x 8'H)

ALL THE INFORMATION SHOWN HEREIN IS THE INTELLECTUAL PROPERTY OF TORSHEL STORM SHELTERS AND IS SUBMITTED ONLY IN A CONFIDENTIAL BASIS. THE RECIPIENT AGREES THAT NO DISCLOSURE OF THIS INFORMATION WILL BE MADE TO A THIRD PARTY WITHOUT WRITTEN CONSENT OF TORSHEL.

MONOLITHIC CONCRETE OPTION (B).

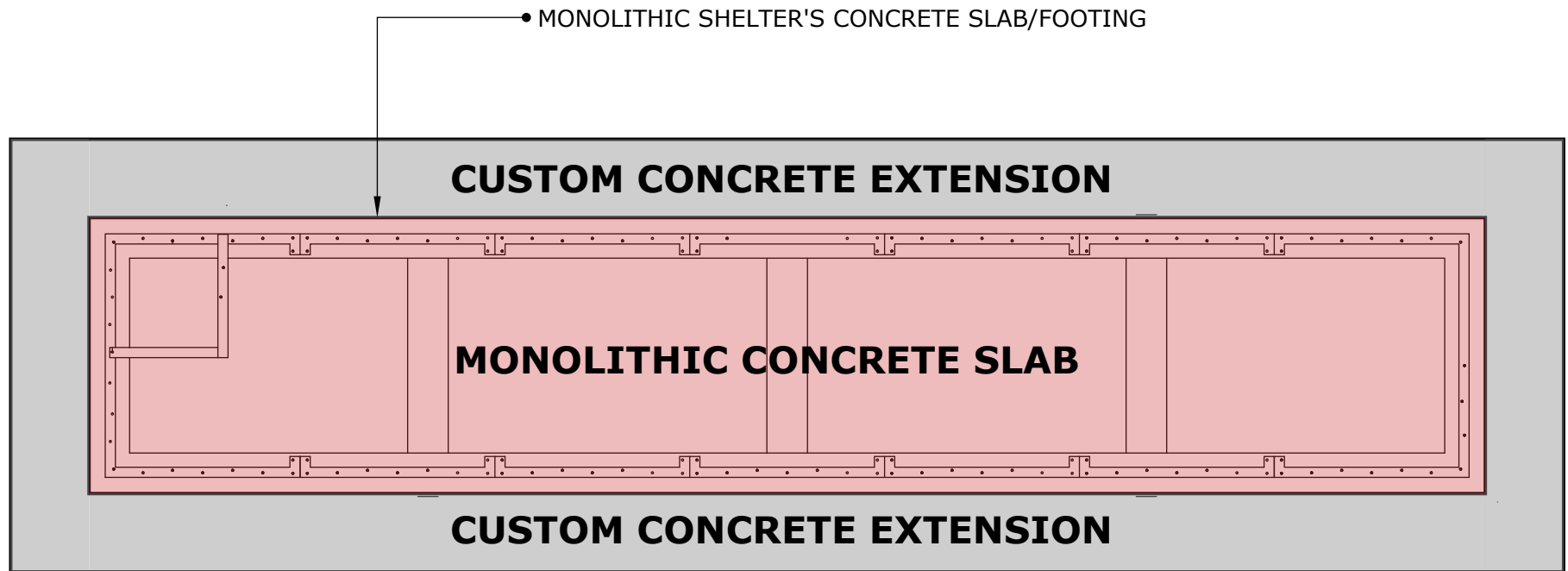
REBAR REINFORCEMENT OPTION (2): #6 Rebar - 3/4" Diam. 18" OC



MODULAR TORNADO COMMUNITY SHELTER
(10'W x 56'L x 8'H)

ALL THE INFORMATION SHOWN HEREIN IS THE INTELLECTUAL PROPERTY OF TORSHEL STORM SHELTERS AND IS SUBMITTED ONLY IN A CONFIDENTIAL BASIS. THE RECIPIENT AGREES THAT NO DISCLOSURE OF THIS INFORMATION WILL BE MADE TO A THIRD PARTY WITHOUT WRITTEN CONSENT OF TORSHEL.

CUSTOM CONCRETE EXTENSION OPTION



• MONOLITHIC SHELTER'S CONCRETE SLAB/FOOTING

CUSTOM CONCRETE EXTENSION

MONOLITHIC CONCRETE SLAB

CUSTOM CONCRETE EXTENSION

• CLIENTS CAN POUR CONCRETE ON THE SIDES OF THE MONOLITHIC SLAB AT THEIR DISCRETION AND NEEDS. WE RECOMMEND USING A THICKNESS OF 4" TO 6", ALSO CUSTOMER CAN ADD GRAVEL OR OTHER TYPE OF FILLING MATERIAL.



MODULAR TORNADO COMMUNITY SHELTER
(10'W x 56'L x 8'H)

ALL THE INFORMATION SHOWN HEREIN IS THE INTELLECTUAL PROPERTY OF TORSHEL STORM SHELTERS AND IS SUBMITTED ONLY IN A CONFIDENTIAL BASIS. THE RECIPIENT AGREES THAT NO DISCLOSURE OF THIS INFORMATION WILL BE MADE TO A THIRD PARTY WITHOUT WRITTEN CONSENT OF TORSHEL.

UNLOADING METHODS

1



2



MODULAR TORNADO COMMUNITY SHELTER
(10'W x 56'L x 8'H)

ALL THE INFORMATION SHOWN HEREIN IS THE INTELLECTUAL PROPERTY OF TORSHEL STORM SHELTERS AND IS SUBMITTED ONLY IN A CONFIDENTIAL BASIS. THE RECIPIENT AGREES THAT NO DISCLOSURE OF THIS INFORMATION WILL BE MADE TO A THIRD PARTY WITHOUT WRITTEN CONSENT OF TORSHEL.