

# MODULAR TORNADO COMMUNITY SHELTER - CONCRETE SPECIFICATIONS

10'W x 40'L x 8'H



**UNIT MODEL (D)**  
10'W x 40'L x 8'H  
**CAP: 78-80 PEOPLE**  
-Shelter sq ft:  
400 sq ft



MODULAR TORNADO COMMUNITY SHELTER  
(10'W x 40'L x 8'H)

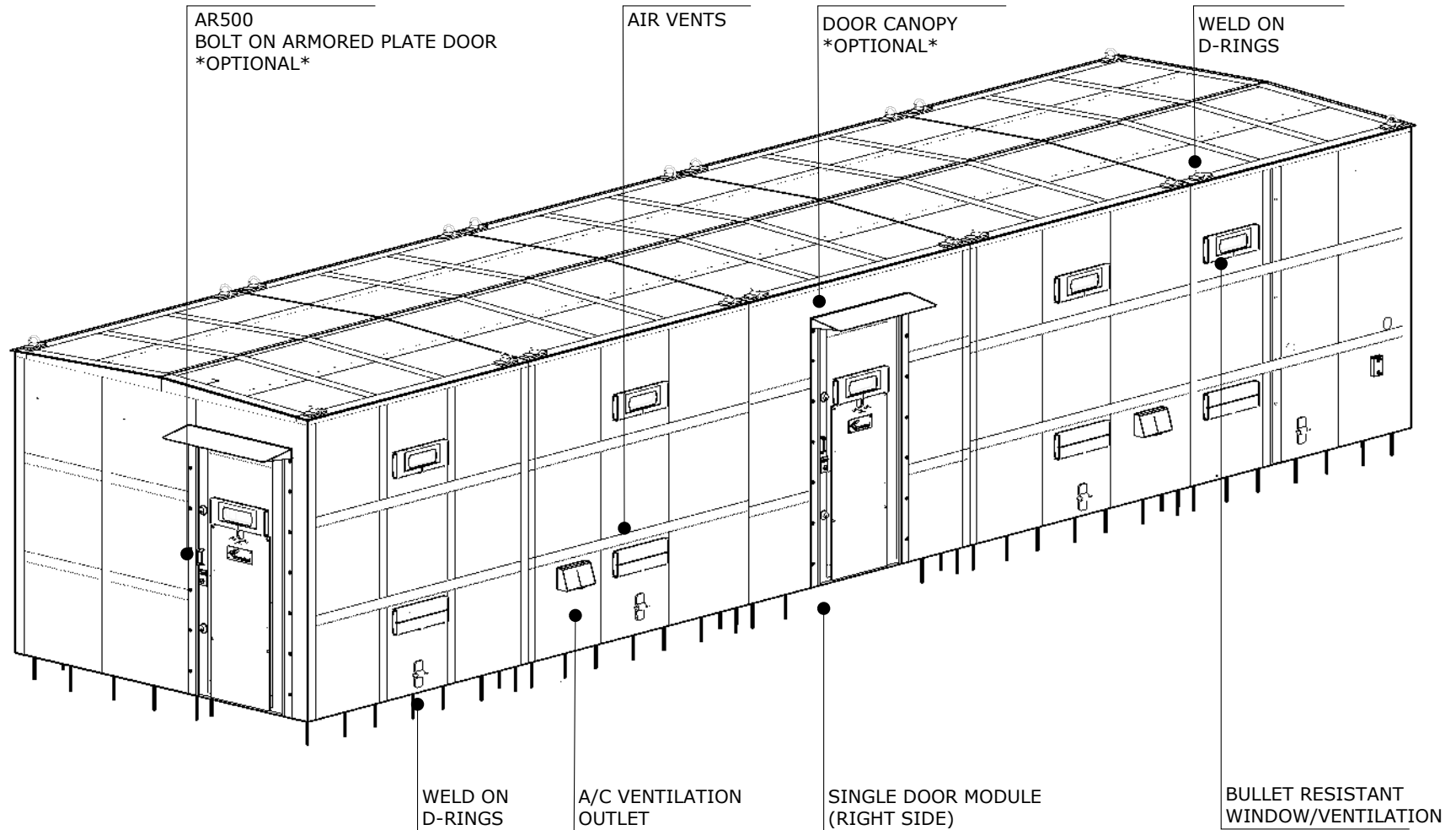
ALL THE INFORMATION SHOWN HEREIN IS THE INTELLECTUAL PROPERTY OF TORSHEL STORM SHELTERS AND IS SUBMITTED ONLY IN A CONFIDENTIAL BASIS. THE RECIPIENT AGREES THAT NO DISCLOSURE OF THIS INFORMATION WILL BE MADE TO A THIRD PARTY WITHOUT WRITTEN CONSENT OF TORSHEL.

# MODULAR TORNADO COMMUNITY SHELTER

x5 Modules (10'W x 8'L x 8'H)

Total Unit (10'W x 40'L x 8'H)

GENERAL DIMENSIONS

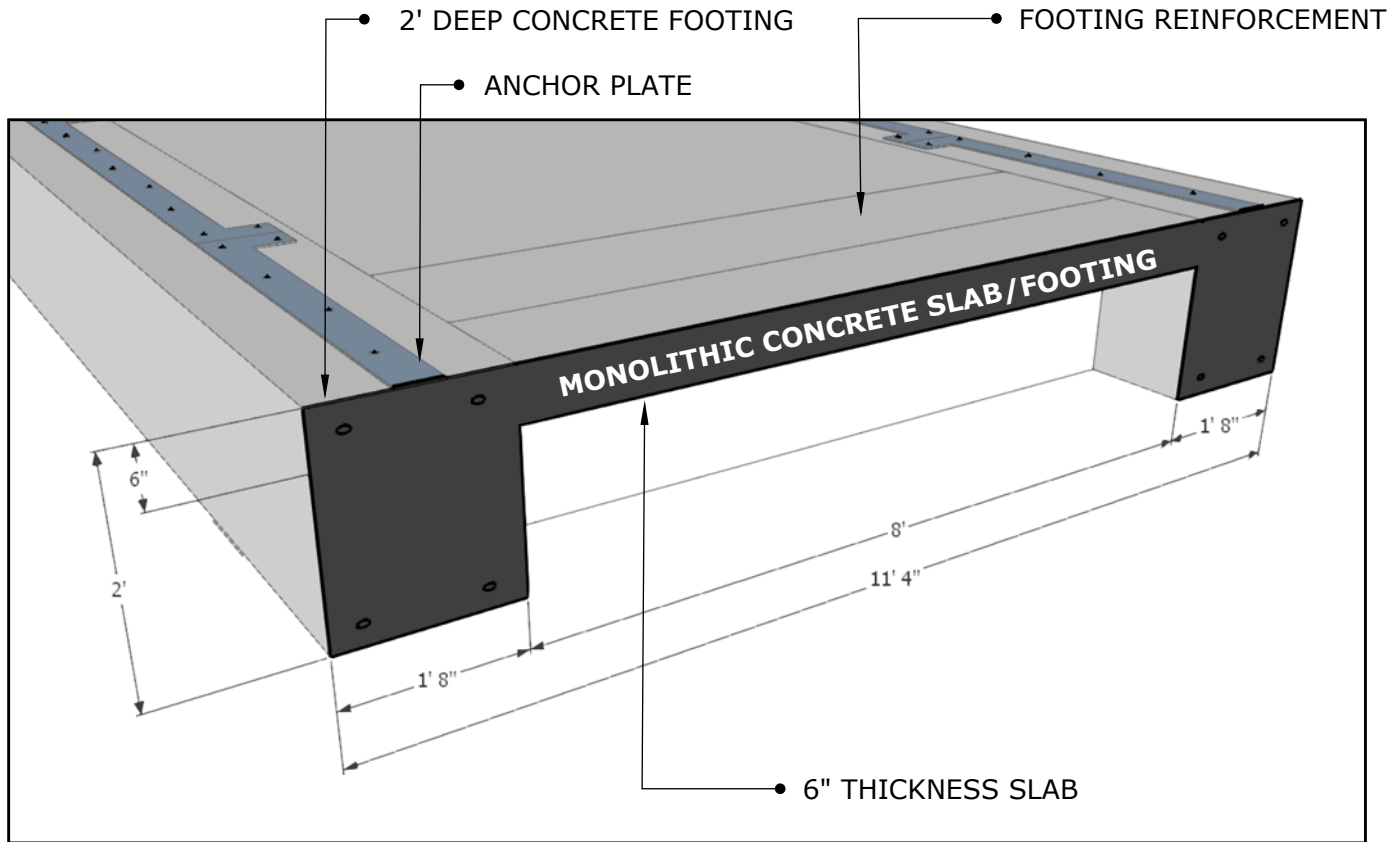


MODULAR TORNADO COMMUNITY SHELTER  
(10'W x 40'L x 8'H)

ALL THE INFORMATION SHOWN HEREIN IS THE INTELLECTUAL PROPERTY OF TORSHEL STORM SHELTERS AND IS SUBMITTED ONLY IN A CONFIDENTIAL BASIS. THE RECIPIENT AGREES THAT NO DISCLOSURE OF THIS INFORMATION WILL BE MADE TO A THIRD PARTY WITHOUT WRITTEN CONSENT OF TORSHEL.

# MONOLITHIC CONCRETE

**REBAR REINFORCEMENT: #6 Rebar - 3/4" Diam. 18" OC**



## SPECIFICATIONS

<b>SLAB/FOOTING TOTAL DIMENSIONS</b>	<b>11'4"W x 41'4"L x 2'H</b>
<b>SLABS CONCRETE NEEDED (EXACT AMOUNT)</b>	5.13 y3 4,000-6,000 PSI (We recommend ordering 10-15% plus of concrete)
<b>FOOTING CONCRETE NEEDED (EXACT AMOUNT)</b>	14.15 y3 4,000-6,000 PSI (We recommend ordering 10-15% plus of concrete)
<b>TOTAL CONCRETE NEEDED</b>	19.28 y3 4,000-6,000 PSI (We recommend ordering 10-15% plus of concrete)

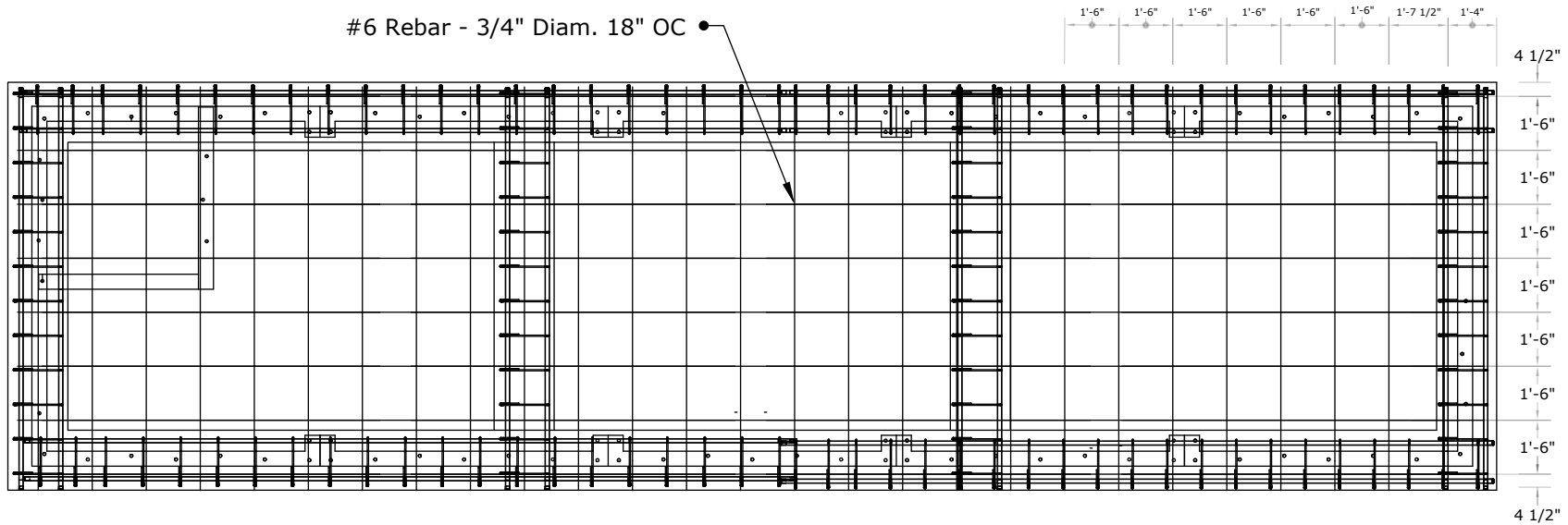
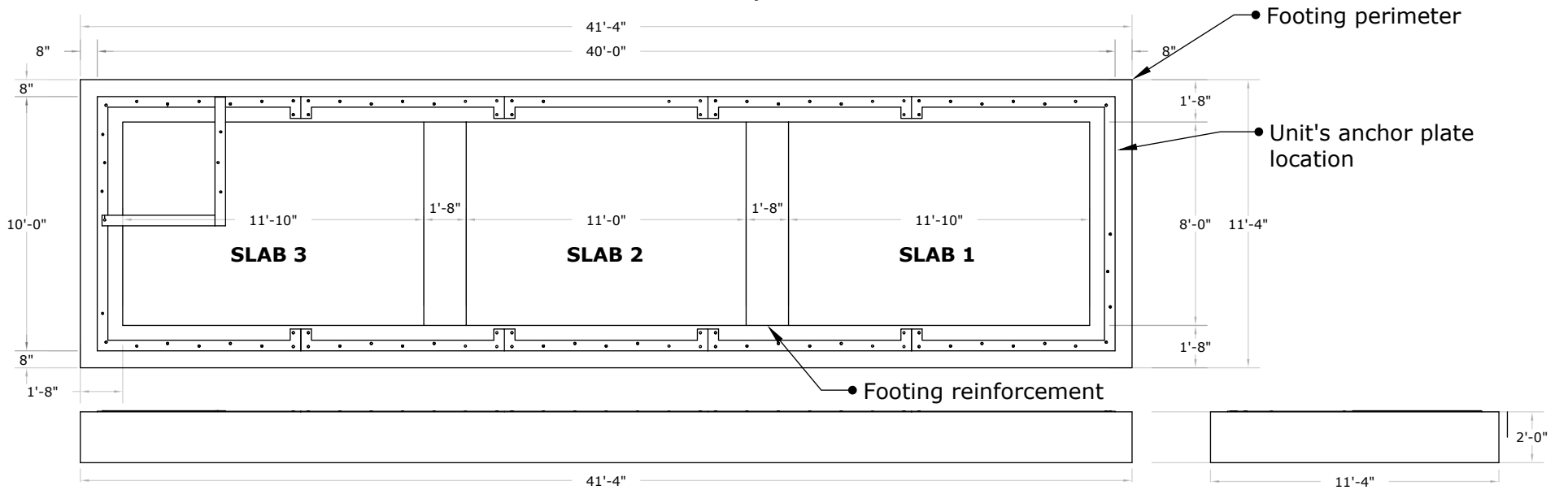


MODULAR TORNADO COMMUNITY SHELTER  
(10'W x 40'L x 8'H)

ALL THE INFORMATION SHOWN HEREIN IS THE INTELLECTUAL PROPERTY OF TORSHEL STORM SHELTERS AND IS SUBMITTED ONLY IN A CONFIDENTIAL BASIS. THE RECIPIENT AGREES THAT NO DISCLOSURE OF THIS INFORMATION WILL BE MADE TO A THIRD PARTY WITHOUT WRITTEN CONSENT OF TORSHEL.

# MONOLITHIC CONCRETE

## REBAR REINFORCEMENT: #6 Rebar - 3/4" Diam. 18" OC



MODULAR TORNADO COMMUNITY SHELTER  
(10'W x 40'L x 8'H)

ALL THE INFORMATION SHOWN HEREIN IS THE INTELLECTUAL PROPERTY OF TORSHEL STORM SHELTERS AND IS SUBMITTED ONLY IN A CONFIDENTIAL BASIS. THE RECIPIENT AGREES THAT NO DISCLOSURE OF THIS INFORMATION WILL BE MADE TO A THIRD PARTY WITHOUT WRITTEN CONSENT OF TORSHEL.